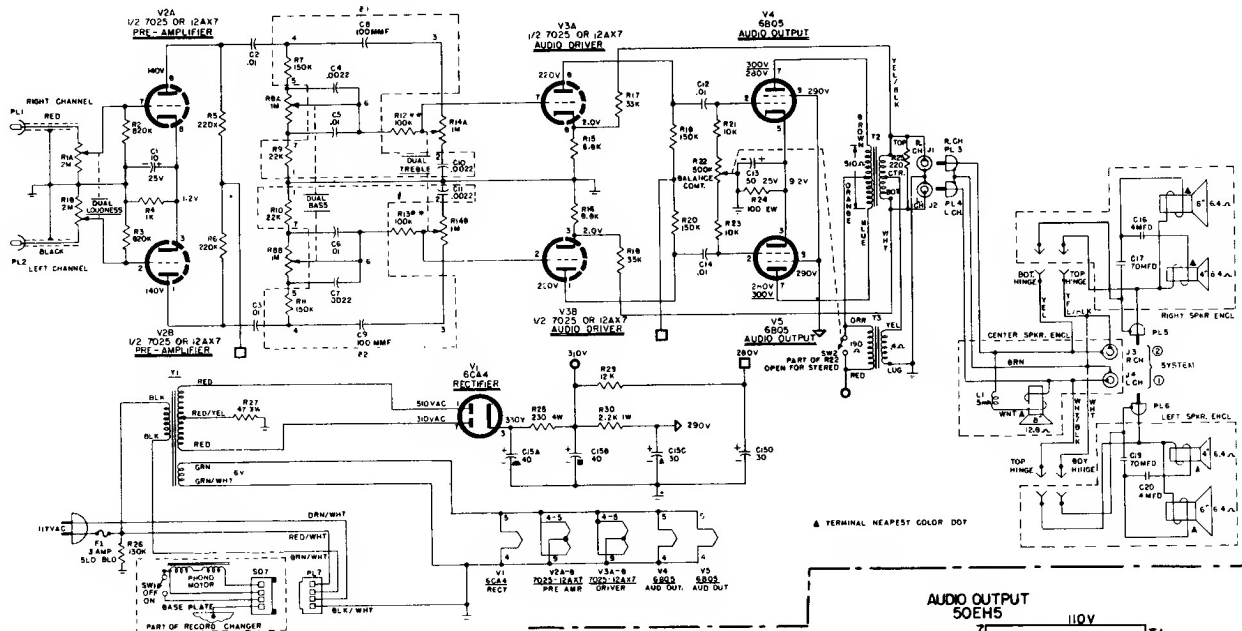


WESTINGHOUSE Chassis V-2507-7, Model H-69ACS1A



▲ TERMINAL NEAREST COLOR DOT

NOTES:
1. ALL CAPACITANCE VALUES IN MFD & ALL RESISTANCE VALUES IN OHMS, UNLESS OTHERWISE SPECIFIED.

2. ALL VOLTAGES MEASURED FROM CHASSIS GROUND USING A V.T.V.M. HD SIGNAL INPUT. LINE VOLTAGE SET AT 117 VAC READINGS SHOULD BE AS SHOWN $\pm 20\%$.
3. REAR SECTIONS OF ALL CONTROLS ARE THE RIGHT CHANNEL.
4. ALL AMPKOR CONNECTORS VIEWED FROM CONTACT END.
5. R/R R12 & R13 ARE NOT INCLUDED IN R1 OR R2.
6. VOLTAGES UNDERLINED WITH SW-2 IN NORMAL POSITION.
7. FUSE F1 IN LATER PRODUCTION ONLY.

Models H-62MPS1A, H-62MPS2A, H-62MPS3A, Chassis V-2508-2

- NOTES:
1. ALL CAPACITANCE VALUES IN MFD AND ALL RESISTANCE VALUES IN OHMS UNLESS OTHERWISE STATED.
2. ALL VOLTAGES MEASURED FROM 8- USING A V.T.V.M. LINE VOLTAGE SET AT 117 VAC. READINGS SHOULD BE AS SHOWN $\pm 20\%$.
3. CHASSIS GROUND COMMON B- ---

